

AIRRIDE MOUNT



The Model 8032S AirRide provides excellent isolation and support of heavy structures during modal testing. AirRides meet the modal challenge of keeping the mounting (rigid body) frequencies well below the frequency of the first deflection mode. Used extensively in “body-in-white” vehicle modal tests, the unit offers a typical mounting frequency of 2.88 Hz for 650 lbs mass. Since the natural frequency does not vary appreciably with load, several mounts may be used to support a structure, at various points, with good agreement on overall system mounting frequency. AirRides offer the highest degree of isolation of any type of vibration isolator.

PRODUCT BENEFITS:

- Provides extremely low mounting frequencies for large test structures
- Eliminates “chatter” seen in coil springs
- Eliminates multiple mounting frequencies, since AirRide natural frequency does not change significantly with changes in load
- Compact in size, light in weight
- Pressure regulator & gauge

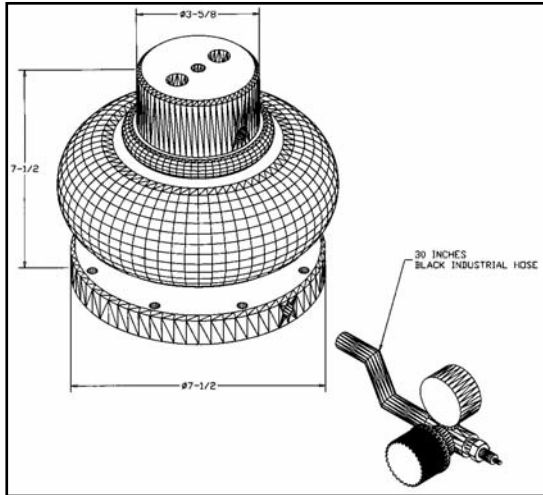
TYPICAL APPLICATIONS:

- Body-in-white
- Natural frequency isolation
- Critical frequency isolation
- Modal testing
- Vibration isolation



MODEL 8032S

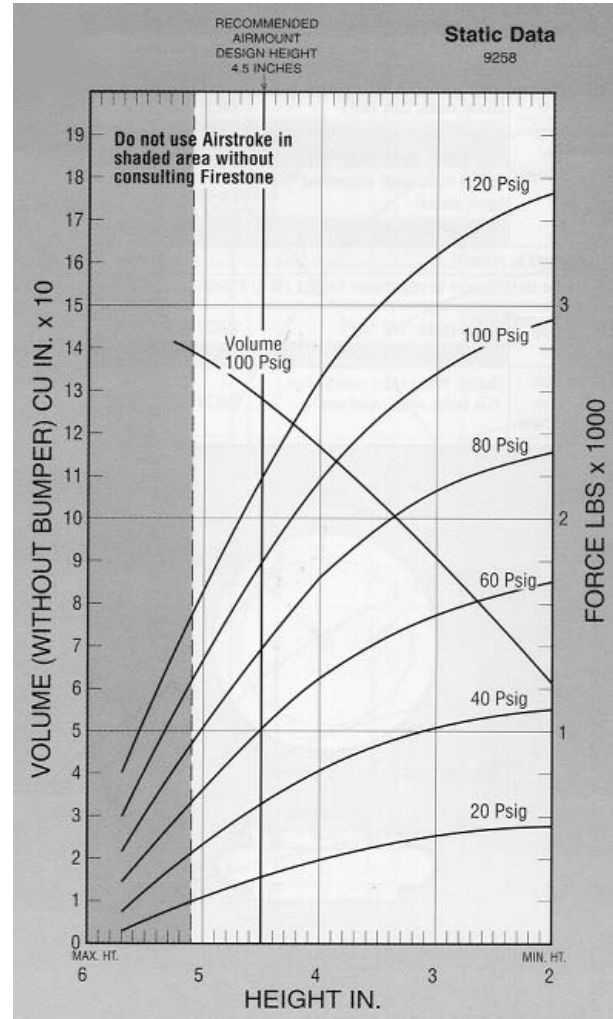
Model 8032S provides the test professional with two locations for air hose insertion. A regulator is included for accuracy. Some tests can restrict access to the AirRide, so The Modal Shop has engineered the 8032S to be flexible for testing efficiency and maximum results. Whether you are performing a 'body-in-white' test or simply isolating vibrations, the 8032S is durable and cost-effective for your test equipment budget.



Installation:

Mounting Pillar: 1/2-13 UNC 2B x 1 inch depth
 Mounting Base: eight 5/16" mounting holes equally spaced on a Ø6.75" bolt center.

Dynamic Characteristics at 4.5 in. Design Height (Required for Airmount isolator design only)				
Volume @ 100 PSIG = 128 in ³			Natural Frequency	
Gage Pressure (PSIG)	Load (lbs.)	Spring Rate (lbs/in)	CPM	Hz
40	650	554	173	2.88
60	1,010	795	167	2.77
80	1,390	1,046	162	2.71
100	1,790	1,294	160	2.66



OTHER TMS PRODUCTS FOR STRUCTURAL TEST APPLICATIONS

- Model 2060E Modal Shaker:** A lightweight electrodynamic modal exciter, is capable of providing up to 60 lbf (267 N) of peak force excitation in a small footprint weighing just 37 pounds (17 kg). With an extended 1.4" (36mm) stroke enhancing input levels at low frequencies and useful frequency range beyond 6 kHz, the 2060E is suitable for structural testing and experimental modal analysis applications, including single and multiple inputs (SIMO and MIMO) using random, burst random, sine dwell or chirp excitation signals.
- Model 2100E11 Modal Shaker:** A lightweight electrodynamic modal exciter, is capable of providing up to 100 lbf (440 N) of peak force excitation in a small footprint weighing just 33 pounds (15 kg). Suitable for structural testing and experimental modal analysis applications, including single and multiple inputs (SIMO and MIMO) using random, burst random, sine dwell or chirp excitation signals.
- Model 400B76 TEDS Sensor / Computer Interface Kit:** Offers single mouse click read and write of TEDS data using your Windows PC. Model 400B76 supports more TEDS templates than any other available TEDS sensor interface kit.
- Model 2050A Lateral Excitation Stand:** Offers convenient mounting of vibration shakers for structural testing.

The Modal Shop 3149 E Kemper Road, Cincinnati, OH 45241, USA
 Toll free 800-860-4867 / Phone 513-351-9919 / Fax 513-458-2172
 E-mail info@modalshop.com Web site www.modalshop.com

© 2012 PCB Group, Inc. In the interest of constant product improvement, specifications are subject to change without notice.